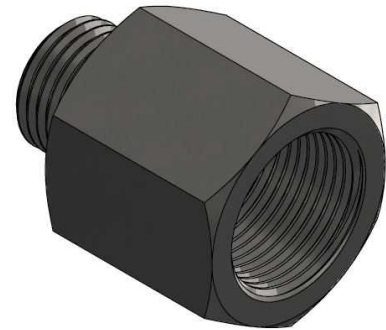
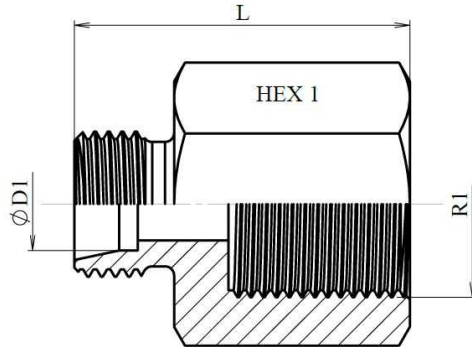


Female stud coupling only body

Stainless Steel AISI 316-L



Part n°	ØD1	Serie	R1	Working Pressure (bar)	L	HEX 1
Z STA GAIL 6 R 1/8	6	L	1/8" BSP	315	26	14
Z STA GAIL 6 R 1/4	6	L	1/4" BSP	315	31	19
Z STA GAIL 8 R 1/4	8	L	1/4" BSP	315	31	19
Z STA GAIL 10 R 1/4	10	L	1/4" BSP	315	32	19
Z STA GAIL 12 R 3/8	12	L	3/8" BSP	315	33	22
Z STA GAIL 12 R 1/2	12	L	1/2" BSP	315	37	27
Z STA GAIL 15 R 1/2	15	L	1/2" BSP	315	38	27
Z STA GAIL 18 R 1/2	18	L	1/2" BSP	315	38	27
Z STA GAIL 22 R 3/4	22	L	3/4" BSP	160	43	32
Z STA GAIL 28 R 1	28	L	1" BSP	160	45,5	41
Z STA GAIL 35 R 1 1/4	35	L	1"1/4 BSP	160	49,5	50
Z STA GAIL 42 R 1 1/2	42	L	1"1/2 BSP	160	49,5	55
Z STA GAIS 6 R 1/4	6	S	1/4" BSP	630	33	19
Z STA GAIS 8 R 1/4	8	S	1/4" BSP	630	33	19
Z STA GAIS 10 R 3/8	10	S	3/8" BSP	630	34	22
Z STA GAIS 12 R 3/8	12	S	3/8" BSP	630	34	22
Z STA GAIS 14 R 1/2	14	S	1/2" BSP	630	40	27
Z STA GAIS 16 R 1/2	16	S	1/2" BSP	400	40	27
Z STA GAIS 20 R 3/4	20	S	3/4" BSP	400	45	32
Z STA GAIS 30 R 1 1/4	30	S	1"1/4 BSP	400	53,5	50
Z STA GAIS 38 R 1 1/2	38	S	1"1/2 BSP	315	55,5	55